

HRT/4-560/30 BPN

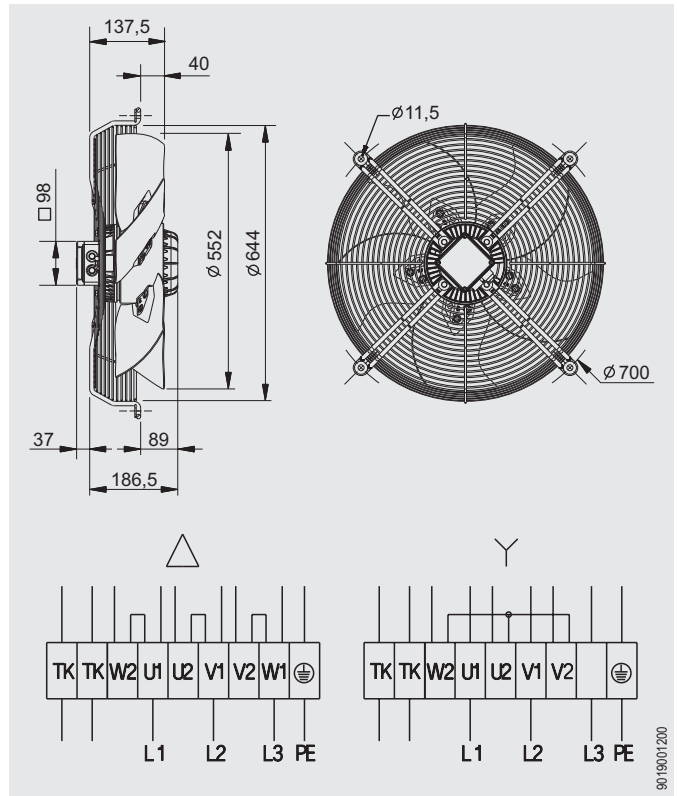
IP54



Dimensiones y conexiones Dimensions and wiring

Características Characteristics

| | |
|---|------------------------------|
| Tensión Voltage | 3 400V 50Hz |
| Tipo motor Motor type | 4 polos 4 poles IP54 cl.F |
| Potencia absorbida máxima Maximum power absorbed | 1,28/0,90 kW |
| Intensidad absorbida máxima Maximum absorbed current | 2,4/1,5 A |
| Condensador Capacitor | |
| Ia/In Is/In | 2,9 |
| Temperatura del aire Air temperature | -40°C < T < +40°C |
| Peso Weight | 18,5 kg |
| Código ventilador Fan code number | 5700294100 |
| Código motor Motor code number | 0343652004 |



Curvas características / Performance curves (23/04/2012)

| | Fan data | ErP | |
|------------------------------------|----------|------|------|
| | | 2013 | 2015 |
| Installation category | A | | |
| Efficiency category | Static | | |
| VSD must be installed with the fan | No | | |
| Specific ratio | 1 | | |
| Overall efficiency [%] | 34,3 | 30,1 | 34,1 |
| Efficiency grade | 40,2 | 36,0 | 40,0 |
| Absorbed power [kW] | 1,181 | | |
| Air volume [m ³ /h] | 8287 | | |
| Static pressure [Pa] | 177 | | |
| Speed [RPM] | 1361 | | |

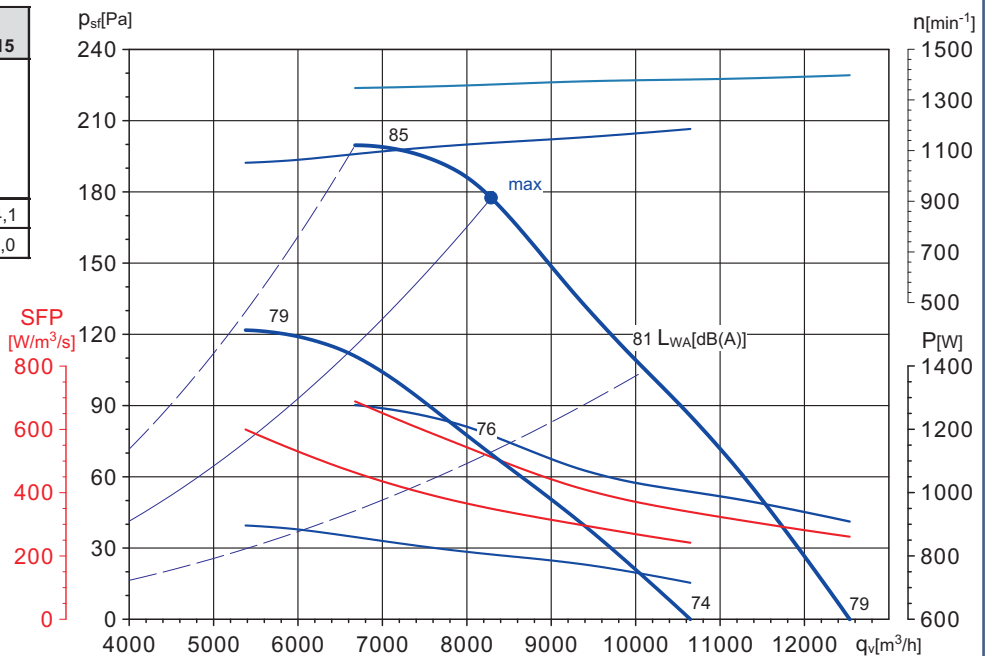
* Data at optimum efficiency working point

Norma ensayo: ISO 5801:2007
Ventilador probado sin reja y con embocadura

Test standard: ISO 5801:2007
Fan tested without guard and with bellmouth entry

Espectro de potencia (LwA) en dB(A) en la aspiración en punto de trabajo de presión baja (L), media (M), alta (H)

Sound power spectrum (LwA) in dB(A), at the fan inlet in low(L), medium(M) or high(H) pressure working point.



| Hz | 63 | 125 | 250 | 500 | 1000 | 2000 | 4000 | 8000 | LwA |
|----|----|-----|-----|-----|------|------|------|------|-----|
| L | 49 | 61 | 67 | 72 | 74 | 73 | 69 | 63 | 79 |
| M | 51 | 63 | 69 | 74 | 76 | 75 | 71 | 65 | 81 |
| H | 61 | 69 | 74 | 78 | 80 | 79 | 75 | 68 | 85 |

| Hz | 63 | 125 | 250 | 500 | 1000 | 2000 | 4000 | 8000 | LwA |
|----|----|-----|-----|-----|------|------|------|------|-----|
| L | 44 | 56 | 62 | 67 | 69 | 68 | 64 | 58 | 74 |
| M | 46 | 58 | 64 | 69 | 71 | 70 | 66 | 60 | 76 |
| H | 55 | 63 | 68 | 72 | 74 | 73 | 69 | 62 | 79 |



Soler&Palau
Ventilation Group

9019001200