

COMPRESSORI ERMETICI
HERMETIC COMPRESSORS

COMPRESSEURS HERMETIQUES
HERMETISCHE VERDICHTER

RIVACOLD

EMBRACO ASPERA COMPRESSOR MODELS	DIMENSIONS A mm	TUBES		
		SUCTION mm Int. Dia	PROCESS mm Int. Dia	DISCHARGE mm Int. Dia
NB1112Z NB2112Z NB5132Z	177	6,1-6,2	6,1-6,2	4,86-5,02
NB1115Z NB1116Z NB2116Z NB1117Z NB2118Z NB2112GK NB1117GK NB2117GK NEK2117GK	187	6,1-6,2	6,1-6,2	4,86-5,02
NB1118Z NB1119Z NB1121GK NB2121GK	200	6,1-6,2	6,1-6,2	4,86-5,02

EMBRACO ASPERA COMPRESSOR MODELS	DIMENSIONS A mm	TUBES		
		SUCTION mm Int. Dia	PROCESS mm Int. Dia	DISCHARGE mm Int. Dia
NB5144Z NB6144Z NE5160Z NE6160Z NE5170Z NE5187Z NEK6170Z NE2125E NB6144E NB6152E NB6165E NE6210E NE2125GK NEK2121GK NEK2125GK NB6144GK NB6152GK NB6165GK NE6210GK NEK6165GK	187	8,1-8,2	6,1-6,2	6,1-6,2
NE1121Z NE2121Z NE1130Z NE2130Z NE6170Z NE6187Z NE6210Z NEK6187Z NEK6210Z NE6181E NE5210E NE6211E NEK2134GK NE5181GK NE6181GK NEK6210GK	200	8,1-8,2	6,1-6,2	6,1-6,2
NE2134Z NEK6212Z NE2134E NE2134GK NEK2150GK NE2134GK NEK2150GK NEK6213GK NE9213E	206	8,1-8,2	6,1-6,2	6,1-6,2

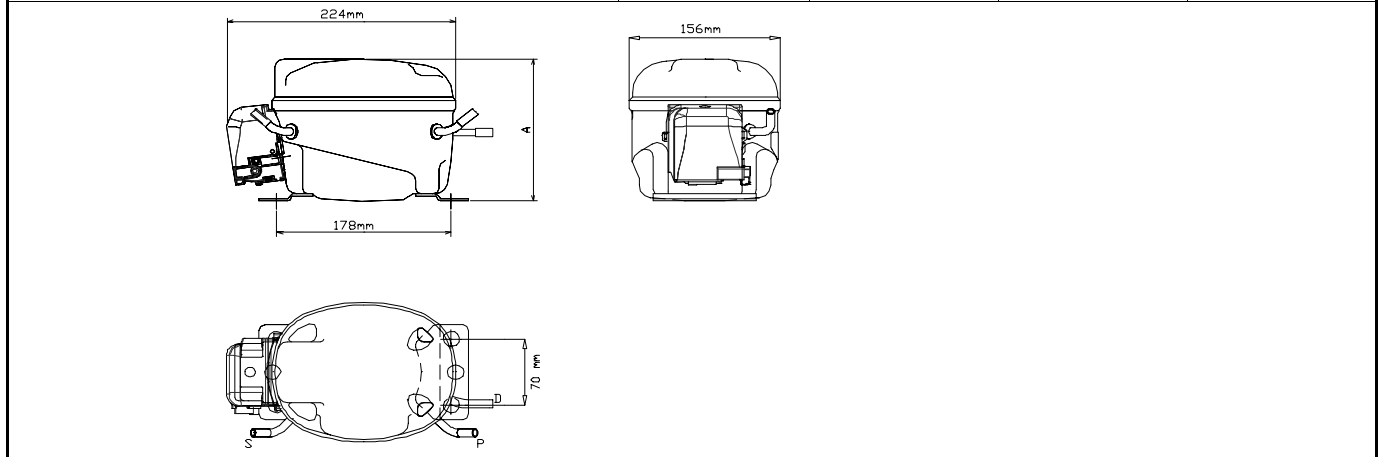
EMBRACO ASPERA COMPRESSOR MODELS	DIMENSIONS A mm	TUBES			
		SUCTION mm Int. Dia	PROCESS mm Int. Dia	DISCHARGE mm Int. Dia	OIL COOLER
NB3117Z NB3119Z	200	6,1-6,2	6,1-6,1	4,86-5,03	4,86-5,03

COMPRESSORI ERMETICI
HERMETIC COMPRESSORS

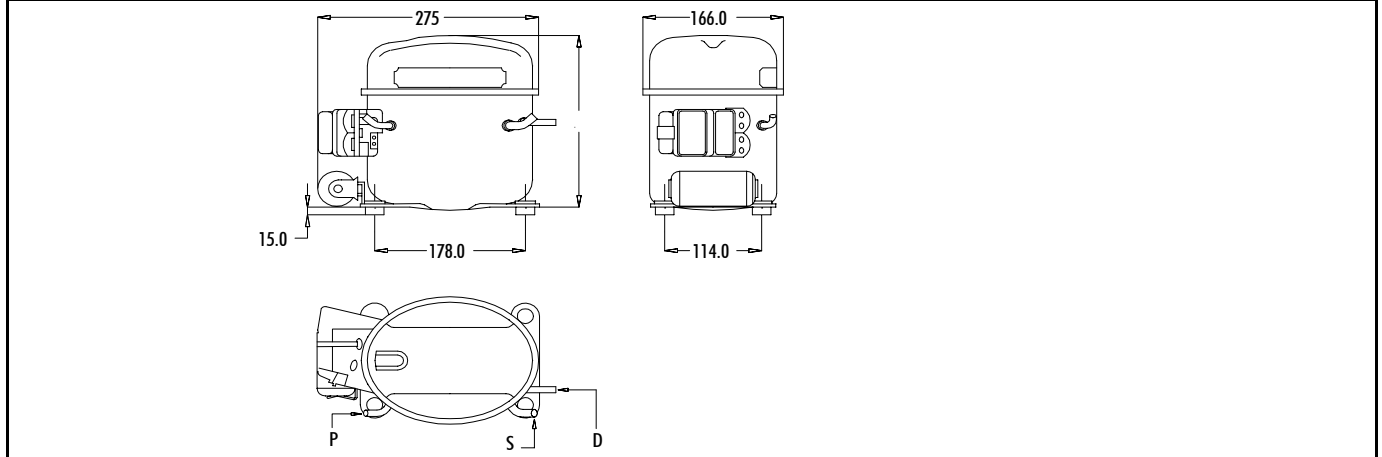
COMPRESSEURS HERMETIQUES
HERMETISCHE VERDICHTER



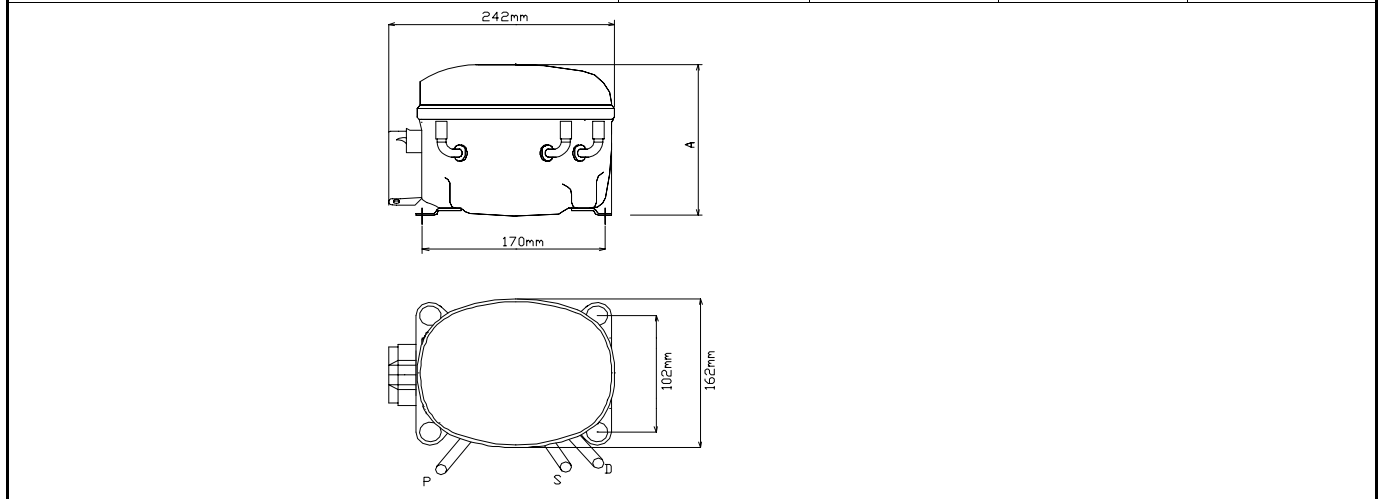
EMBRACO ASPERA COMPRESSOR MODELS	DIMENSIONS A mm	TUBES		
		SUCTION mm Int. Dia	PROCESS mm Int. Dia	DISCHARGE mm Int. Dia
BP5125H BP5128H BP5128Z	150	6,1-6,2	6,1-6,2	4,86-5,02
BP6125H BP5132H BP6132H	159	6,1-6,2	6,1-6,2	4,86-5,02



EMBRACO ASPERA COMPRESSOR MODELS	DIMENSIONS A mm	TUBES		
		SUCTION mm Int. Dia	PROCESS mm Int. Dia	DISCHARGE mm Int. Dia
T2134Z T6213Z T2140GK T2155GK-	201	8-8,08	8-8,08	6,42-6,5
T2140Z T6215Z T6217Z T6217GK	221	8-8,08	8-8,08	6,42-6,5



EMBRACO ASPERA COMPRESSOR MODELS	DIMENSIONS A mm	TUBES		
		SUCTION mm Int. Dia	PROCESS mm Int. Dia	DISCHARGE mm Int. Dia
BP6128H	159	9,6-9,67	8,03-8,1	6,45-6,55
NE7213GF NE7215GF	218	9,6-9,67	8,03-8,1	6,45-6,55

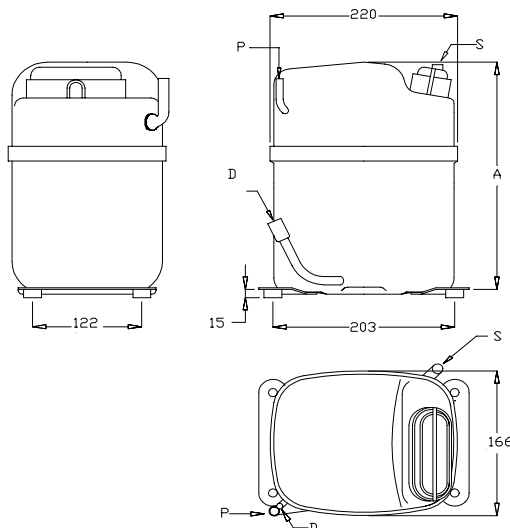


COMPRESSORI ERMETICI
HERMETIC COMPRESSORS

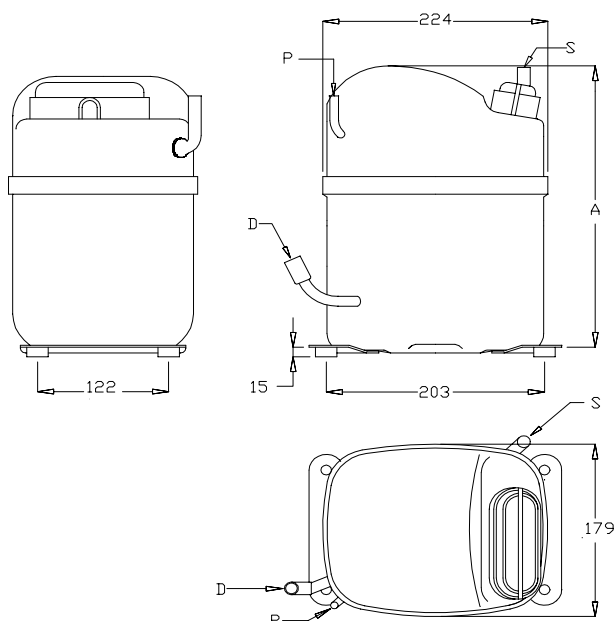
COMPRESSEURS HERMETIQUES
HERMETISCHE VERDICHTER

RIVACOLD

EMBRACO ASPERA COMPRESSOR MODELS	DIMENSIONS A mm	TUBES		
		SUCTION mm Int. Dia	PROCESS mm Int. Dia	DISCHARGE mm Int. Dia
J2152Z J2152ZX J6220Z J6220ZX J6226ZX J2178E J2190E J9226E J9226P J7231F J7231P J2192GK J2192GS J9226GK J9226GS J7231GF J7231GP	265	9,6-9,67	9,6-9,67	6,42-6,5
J6226Z J7225F J7225E J7228F J7228P J7225GE J7228GE	253	9,6-9,67	9,6-9,67	6,42-6,5
J9232E J9232P J9238E J9238P J7238E J7238P J7140F J7240P J2212GK J2212GS J9232GK J9232GS J9238GK J9238GS J7238GE J7238GP J7240GF J7240GP	277	9,6-9,67	9,6-9,67	6,42-6,5



EMBRACO ASPERA COMPRESSOR MODELS	DIMENSIONS A mm	TUBES		
		SUCTION mm Int. Dia	PROCESS mm Int. Dia	DISCHARGE mm Int. Dia
NJ2152Z NJ6220Z NJ6220ZX NJ6226ZX NJ2178E NJ2190E NJ9226E NJ9226P NJ7231F NJ7231P NJ2192GK NJ2192GS NJ9226GK NJ9226GS NJ7231GF NJ7231GP-	265	9,6-9,67	9,6-9,67	6,42-6,5
NJ6226Z NJ7225F NJ7225E NJ7228F NJ7228P NJ7225GE NJ7228GE	253	9,6-9,67	9,6-9,67	6,42-6,5
NJ9232E NJ9232P NJ9238E NJ9238P NJ7238E NJ7238P NJ7240F NJ7240P NJ2212GK NJ2212GS NJ9232GK NJ9232GS NJ9238GK NJ9238GS NJ7238GE NJ7238GP NJ7240GF NJ7240GP	277	9,6-9,67	9,6-9,67	6,42-6,5

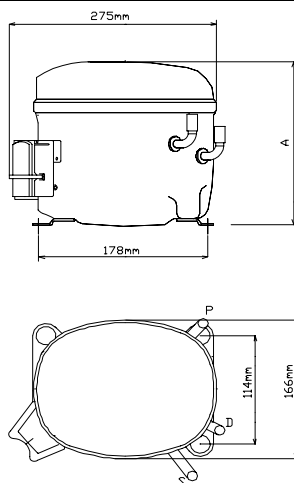


COMPRESSORI ERMETICI
HERMETIC COMPRESSORS

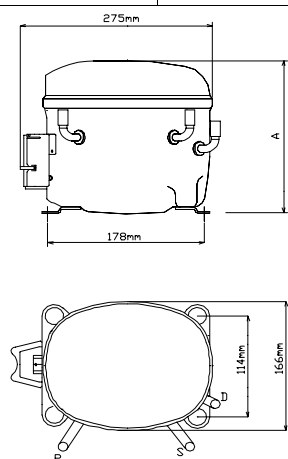
COMPRESSEURS HERMETIQUES
HERMETISCHE VERDICHTER



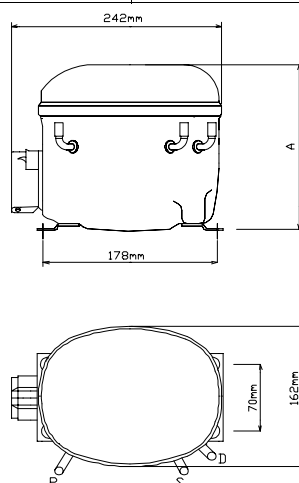
EMBRACO ASPERA COMPRESSOR MODELS	DIMENSIONS A mm	TUBES		
		SUCTION mm Int. Dia	PROCESS mm Int. Dia	DISCHARGE mm Int. Dia
T2155E T2168E T2178GK T2180GK T2180GJ	221	9,6-9,67	9,6-9,67	6,42-6,5



EMBRACO ASPERA COMPRESSOR MODELS	DIMENSIONS A mm	TUBES		
		SUCTION mm Int. Dia	PROCESS mm Int. Dia	DISCHARGE mm Int. Dia
T6217E T6220E T7220F T7223F T2155GK T6220GK T6222GK T7220GF T7223GF	221	9,6-9,67	9,6-9,67	6,42-6,5

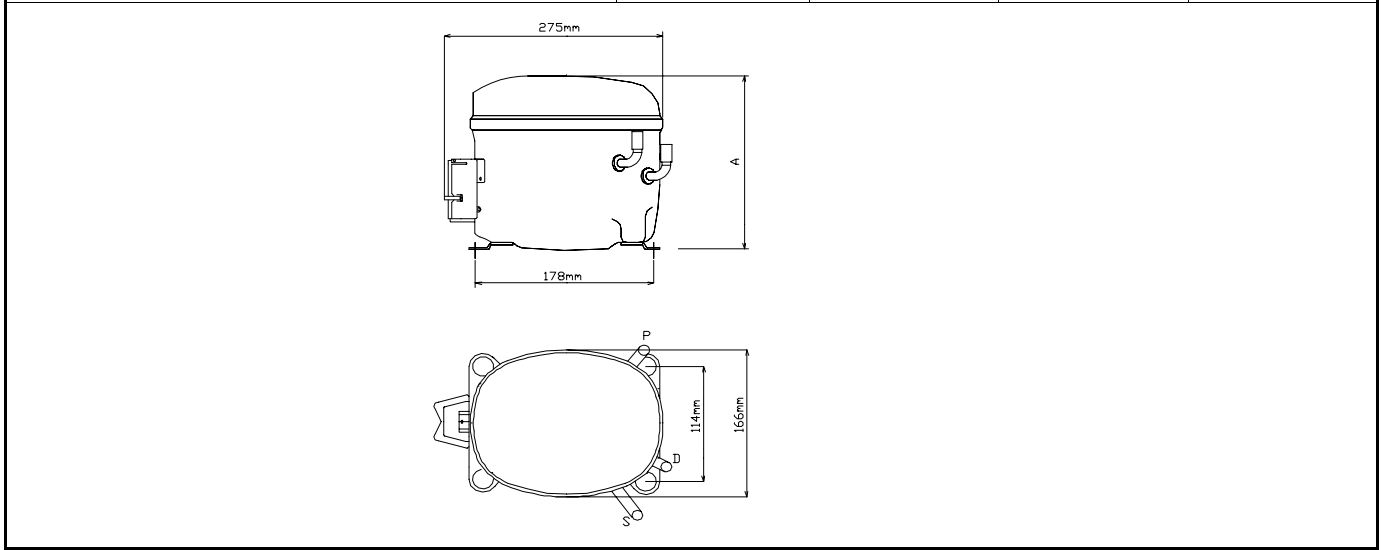


EMBRACO ASPERA COMPRESSOR MODELS	DIMENSIONS A mm	TUBES		
		SUCTION mm Int. Dia	PROCESS mm Int. Dia	DISCHARGE mm Int. Dia
NE7213E NE7215E	218	9,6-9,67	8,03-8,1	6,45-6,55

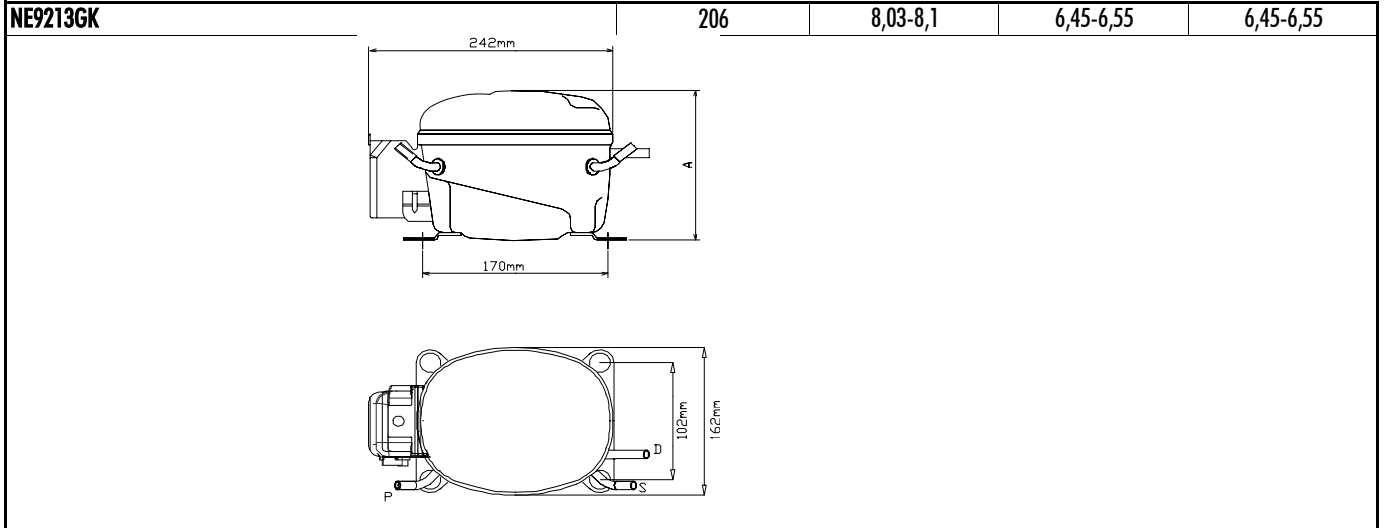


COMPRESSORI ERMETICI HERMETIC COMPRESSORS	COMPRESSEURS HERMETIQUES HERMETISCHE VERDICHTER	RIVACOLD
---	--	-----------------

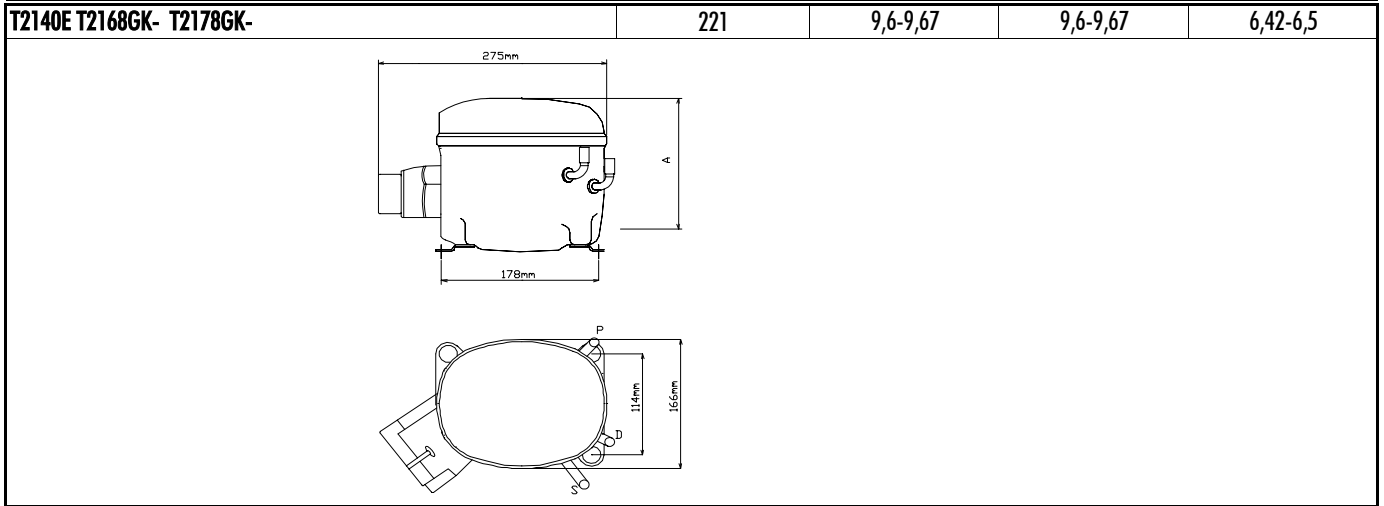
EMBRACO ASPERA COMPRESSOR MODELS	DIMENSIONS A mm	TUBES		
		SUCTION mm Int. Dia	PROCESS mm Int. Dia	DISCHARGE mm Int. Dia
T2168GK	221	9,6-9,67	9,6-9,67	6,42-6,5



EMBRACO ASPERA COMPRESSOR MODELS	DIMENSIONS A mm	TUBES		
		SUCTION mm Int. Dia	PROCESS mm Int. Dia	DISCHARGE mm Int. Dia
NE9213GK	206	8,03-8,1	6,45-6,55	6,45-6,55



EMBRACO ASPERA COMPRESSOR MODELS	DIMENSIONS A mm	TUBES		
		SUCTION mm Int. Dia	PROCESS mm Int. Dia	DISCHARGE mm Int. Dia
T2140E T2168GK- T2178GK-	221	9,6-9,67	9,6-9,67	6,42-6,5

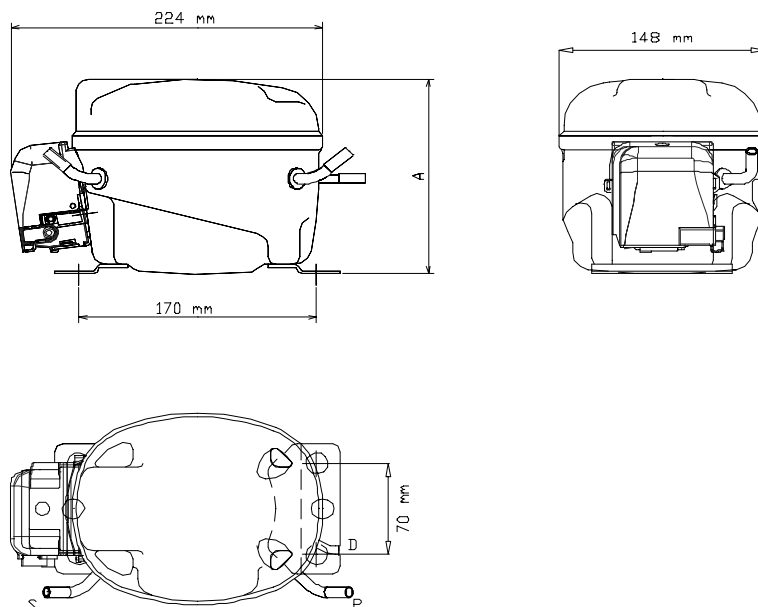


COMPRESSORI ERMETICI
HERMETIC COMPRESSORS

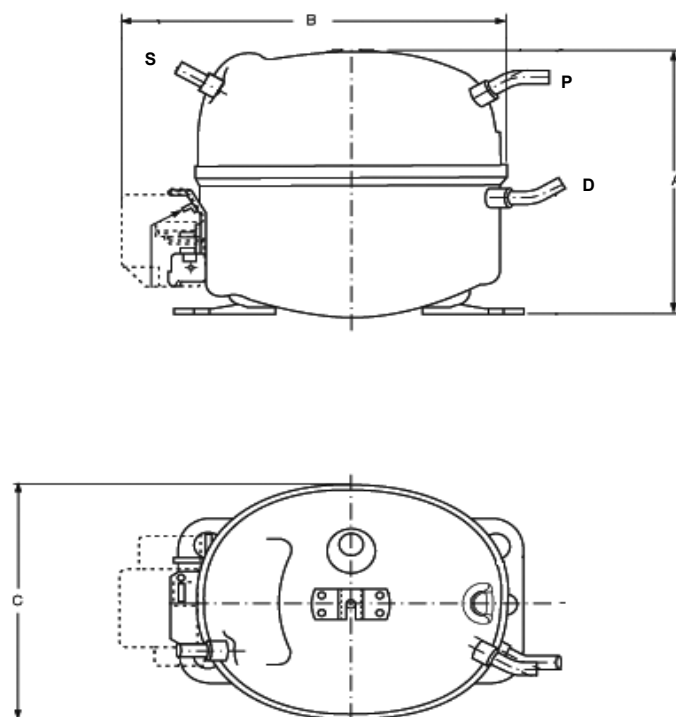
COMPRESSEURS HERMETIQUES
HERMETISCHE VERDICHTER

RIVACOLD

EMBRACO ASPERA COMPRESSOR MODELS	DIMENSIONS A mm	TUBES		
		SUCTION mm Int. Dia	PROCESS mm Int. Dia	DISCHARGE mm Int. Dia
BP1046Z BP1058Z BP1072Z BP1084Z BPM1046Z BPM1058Z BPM1072Z BPM1084Z BPM1110Z	150	6,1	6,1	5
BPM1111Z BP1111Z	159	6,1	6,1	5



EMBRACO COMPRESSOR MODELS	DIMENSIONS			TUBES		
	A mm	B mm	C mm	SUCTION mm Int. Dia	PROCESS mm Int. Dia	DISCHARGE mm Int. Dia
EM20HHR EM40HNP	155	229	150	6,5	6,5	5,2
EM30HHR EM45HNR EM45HHR EM55HHR EM55HNR EM60HNP EM65HNR	166	229	150	6,5	6,5	5,2

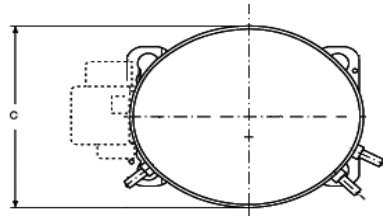
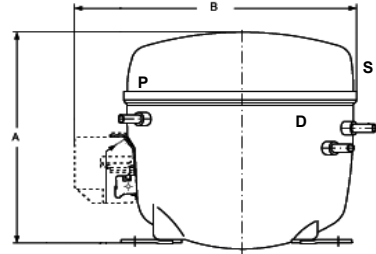


COMPRESSORI ERMETICI
HERMETIC COMPRESSORS

COMPRESSEURS HERMETIQUES
HERMETISCHE VERDICHTER

RIVACOLD

EMBRACO COMPRESSOR MODELS	DIMENSIONS			TUBES		
	A	B	C	SUCTION mm Int. Dia	PROCESS mm Int. Dia	DISCHARGE mm Int. Dia
FFI6HAK FFI7,5HAK	195	251	173	8,2	6,5	6,5
FFI8,5HAK FFI10HAK FFI12HBX FFI12HBK	201	251	173			



EMBRACO COMPRESSOR MODELS	DIMENSIONS			TUBES		
	A	B	C	SUCTION mm Int. Dia	PROCESS mm Int. Dia	DISCHARGE mm Int. Dia
EMT43HLP	164	222	150	6,5	6,5	5,2

